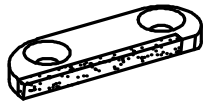
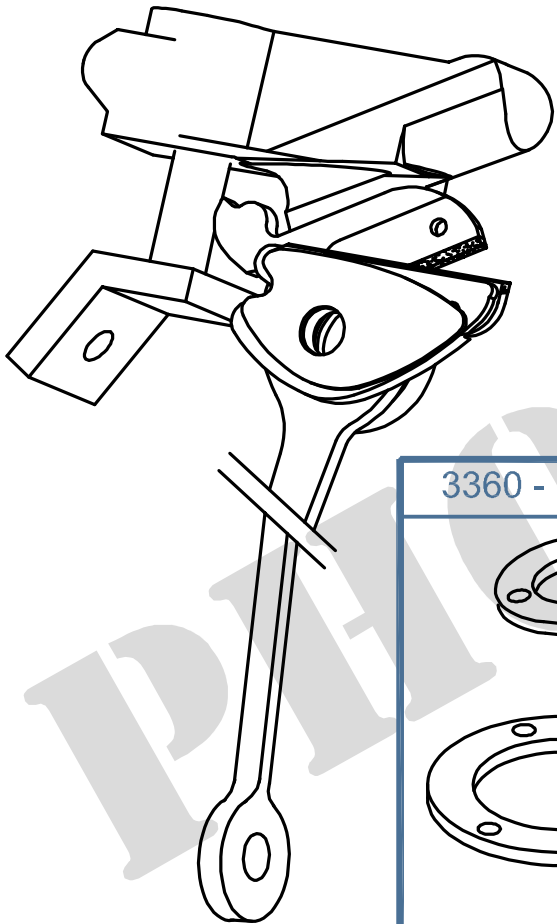


FOR SOMET RAPIER

3330

3330 - AC25 (SELVEDGE RH & LH)



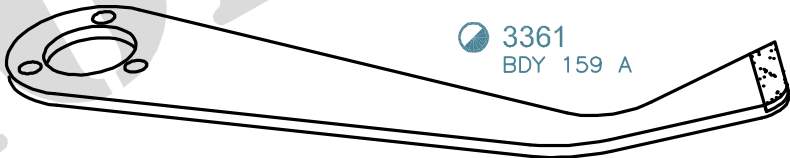
3332
CMN 410



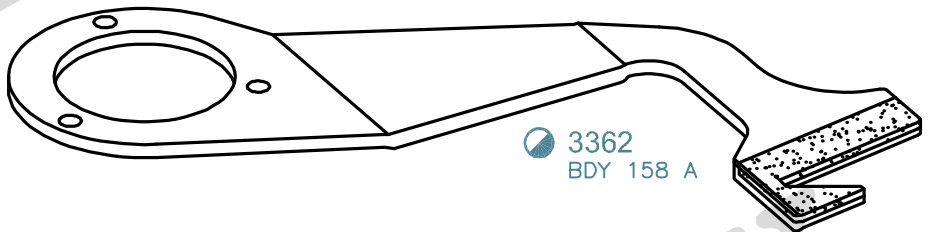
3331
CMN 411

3330-0R (3330-0L)
CUTTER ASSEMBLY RH

3360 - (WEFT)



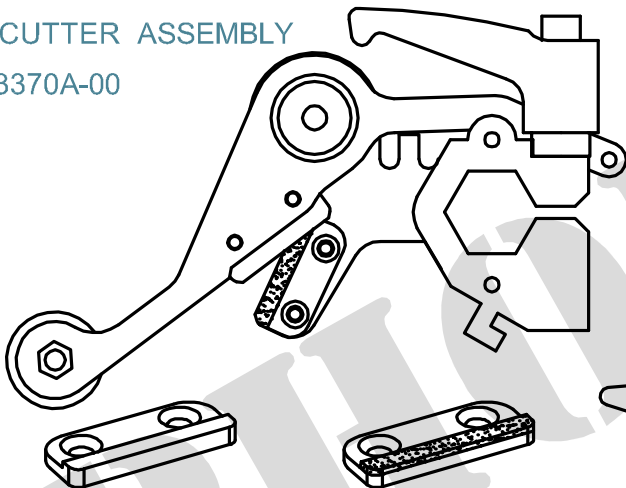
3361
BDY 159 A



3362
BDY 158 A

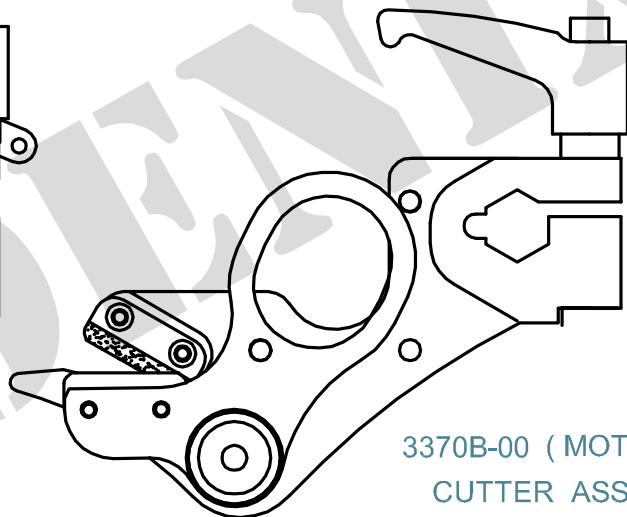
3370 - (SELVEDGE CUTTER LH OR RH)

CUTTER ASSEMBLY
3370A-00



3371
HLT 062A

3372



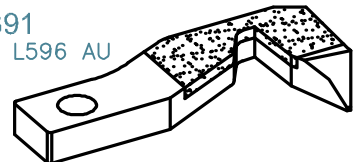
3370B-00 (MOTORIZED)
CUTTER ASSEMBLY

3390 - UV 770 (WEFT)

3392
A1 L598 BZ



3391
A1 L596 AU



MATERIAL CODE : ● SOLID CARBIDE , ○ HSS , ◐ BRAZED CARBIDE , ⊙ TIN COATED